



# PLS-045A-6VAI

## Stainless Steel Level Sensor

RoHS  
REACH

Parameter @25 C	Symbol	Value			Unit
		min.	typ.	max.	

### Electrical Characteristics

Contact form	-		A		
Contact rating	$P_s$			50 / 50	W / VA
Switching voltage	$U_s$			200 / 250	VDC / VAC
Breakdown voltage	$U_{bd}$	400			VDC
Switching current	$I_s$			1.5	A
Carry current	$I_c$			2.0	A
Resistance	$R_{ges}$			130	m $\Omega$

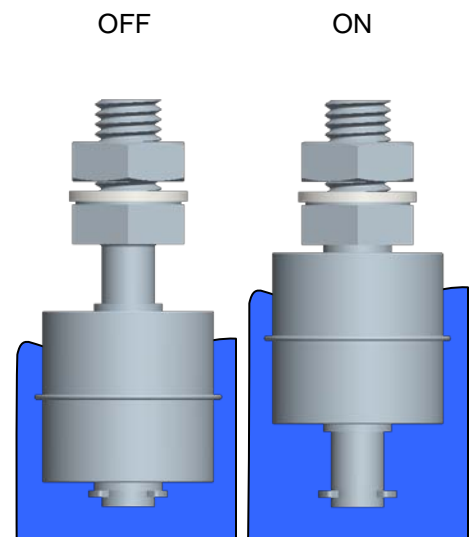
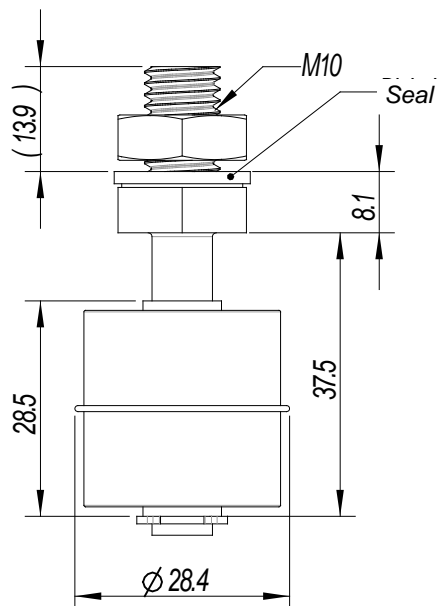
### Environmental Characteristics

Operating temperature	$T_{op}$	-40		+125	C
Storage temperature	$T_{stg}$	-40		+125	C

### Mechanical Characteristics

Average density (float)	$\delta_m$		0.67		g/cm <sup>3</sup>
Housing material	V2A 304				
Cable	2x UL1332, AWG 22, 300mm (5mm stripped + tinned)				

### Dimensions



all dimensions in mm